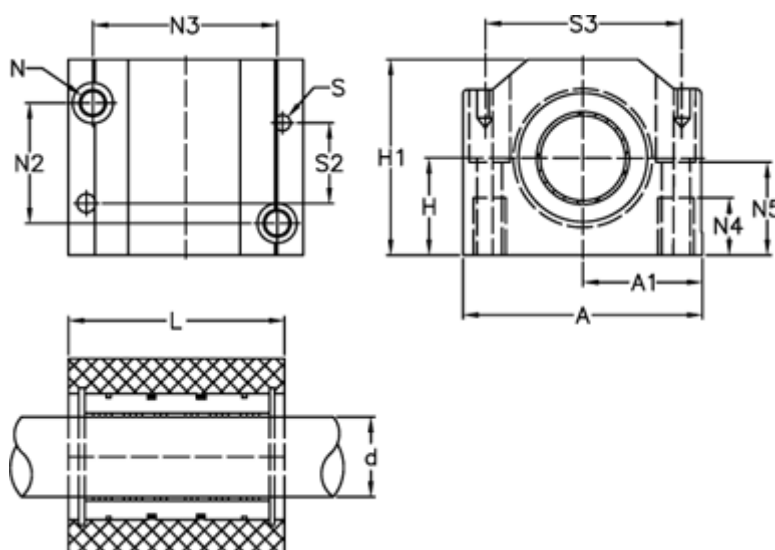


Article number: 50300203

Description: Closed pillow block PMC 20 E  
FM standard bearing included

## Measures



|               |                        |
|---------------|------------------------|
| A = 60        | N4 = 18                |
| A1 = 30       | N5 = 24                |
| H = 25        | S = 5                  |
| H1 = 50       | S2 = 45                |
| L = 54        | S3 = 50                |
| N = M8 x 1,25 | Static load (kg) = 945 |
| N2 = 32.15    | Weight (kg) = 0.329    |
| N3 = 45.15    |                        |